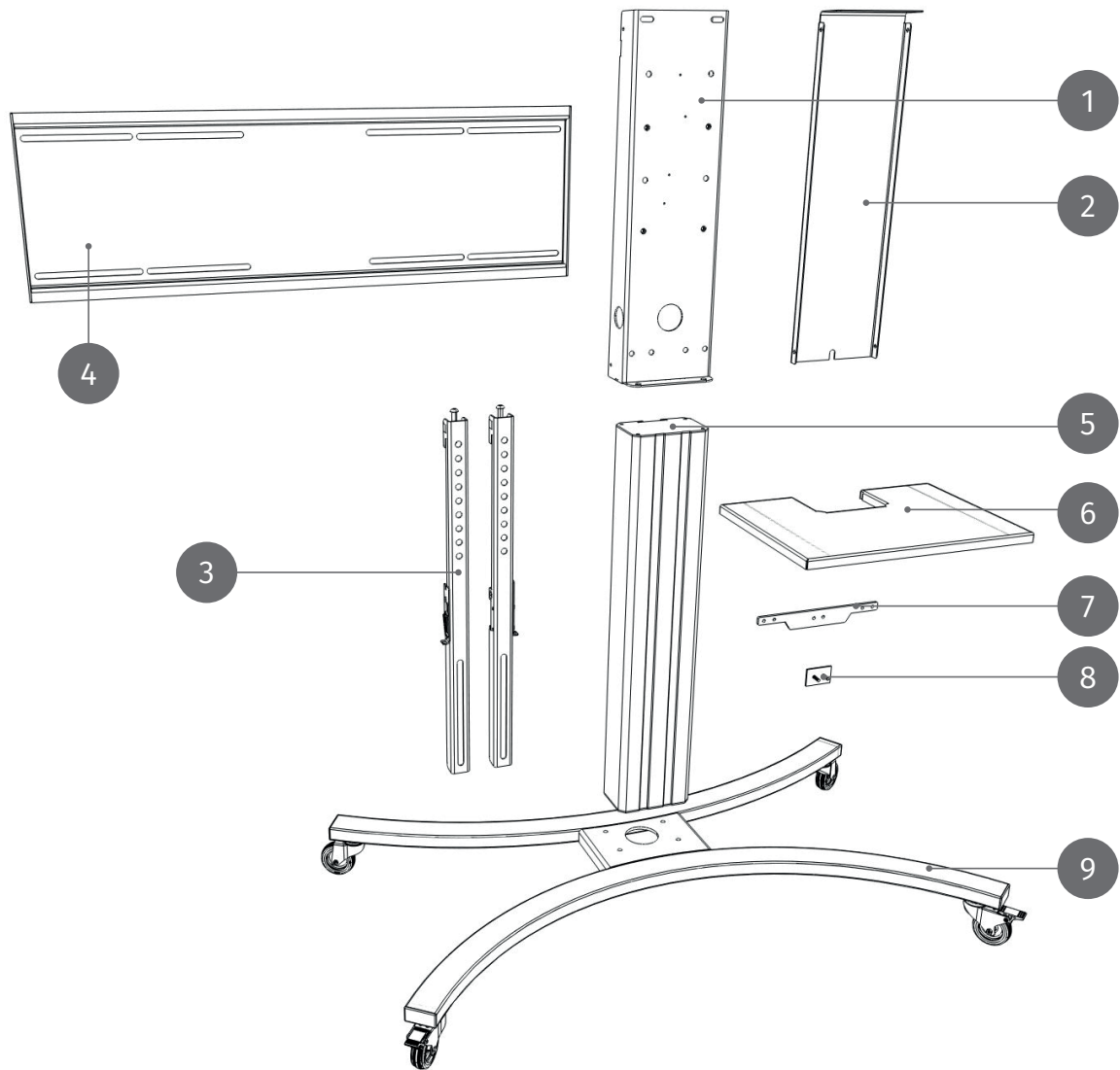


## Fixed mobile stand for 55-86" Displays



For any inquiry please contact : [sales@stirlingcomm.com](mailto:sales@stirlingcomm.com)

# PACKAGE CONTENTS



- 1 Adapter
- 2 Cover
- 3 Hook arms right/left
- 4 Display mount
- 5 Fixed center column
- 6 Front shelf
- 7 Adapter strip
- 8 Sliding block
- 9 Mobile base



A

8 x M8 x 40  
Flange screw



B

4 x M8 x 20  
Flange screw



C

4 x M8  
Self-locking  
flange nut



D

2 x M6  
Self-locking  
flange nut



E

8 x M6 x 12  
Flange screw

Depending on the display



F

4 x M8 x 16  
Lenshead Allen screw with flange

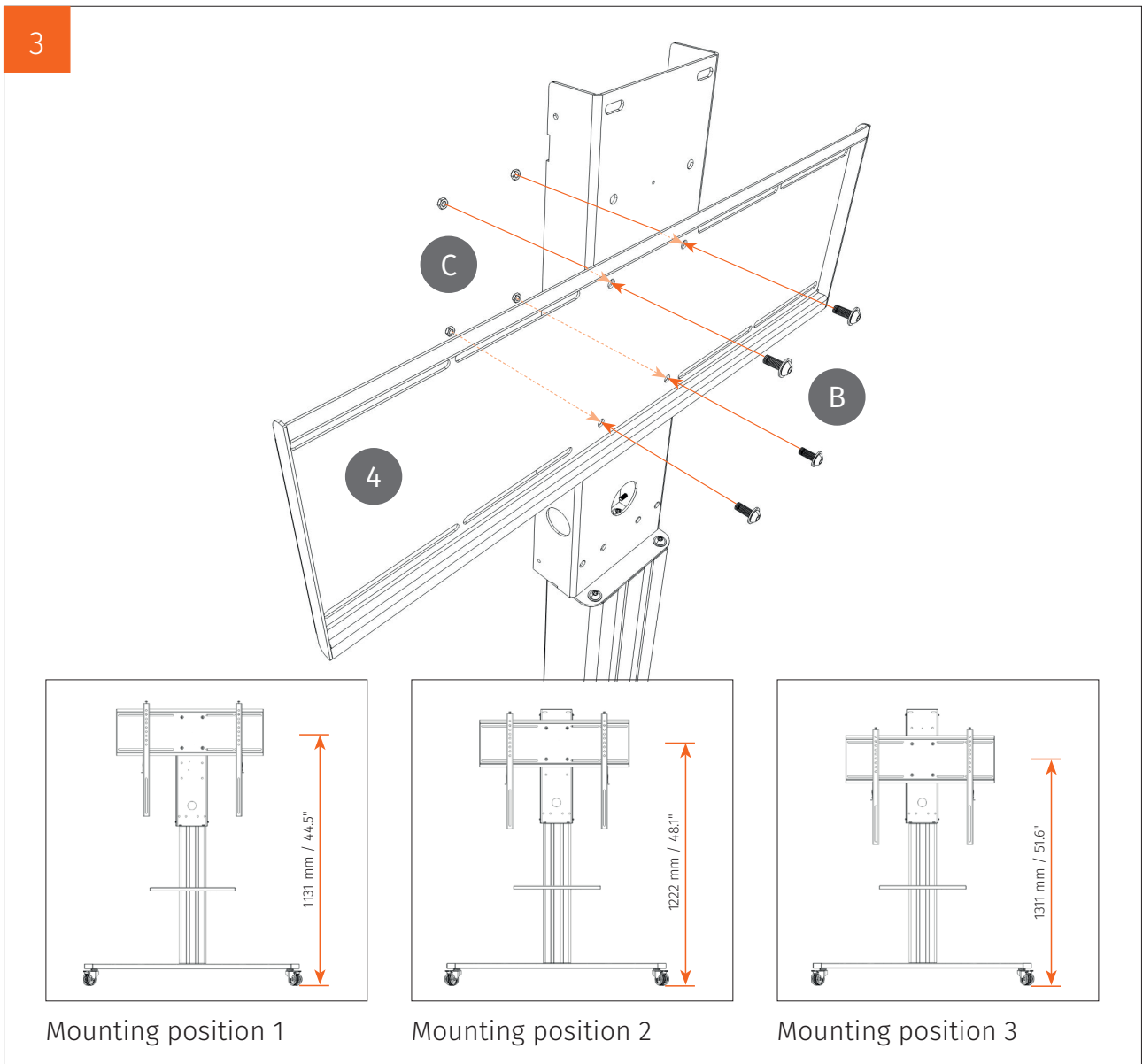
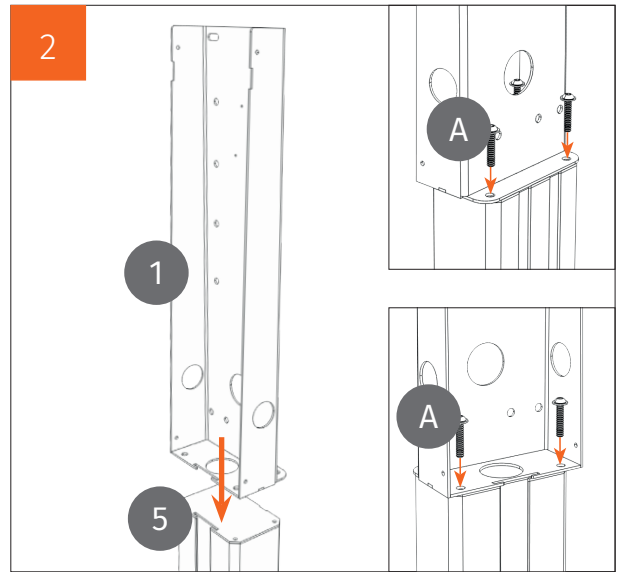
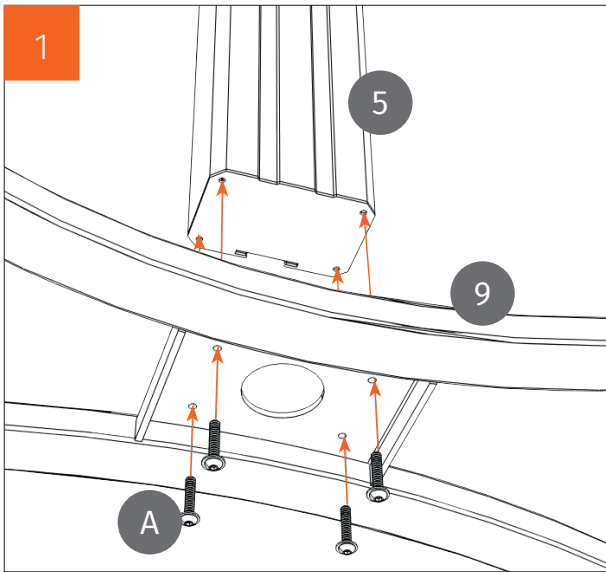


F

4 x M6 x 16  
Allen screw with flange

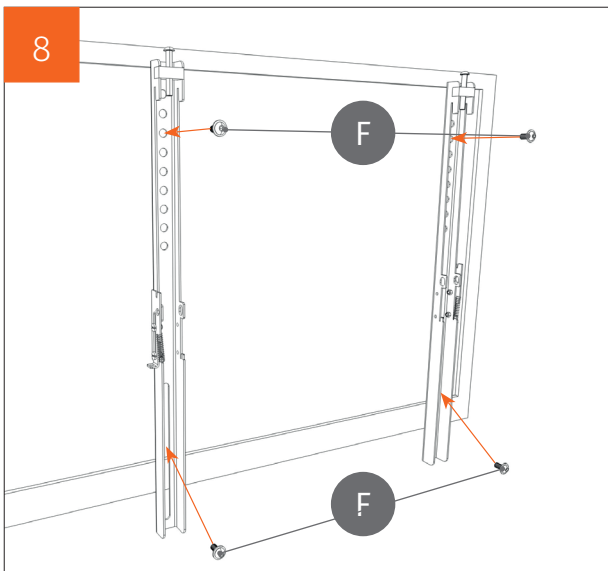
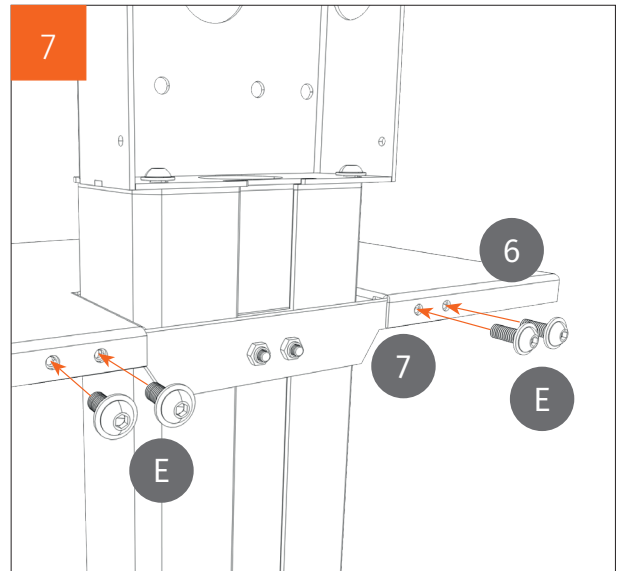
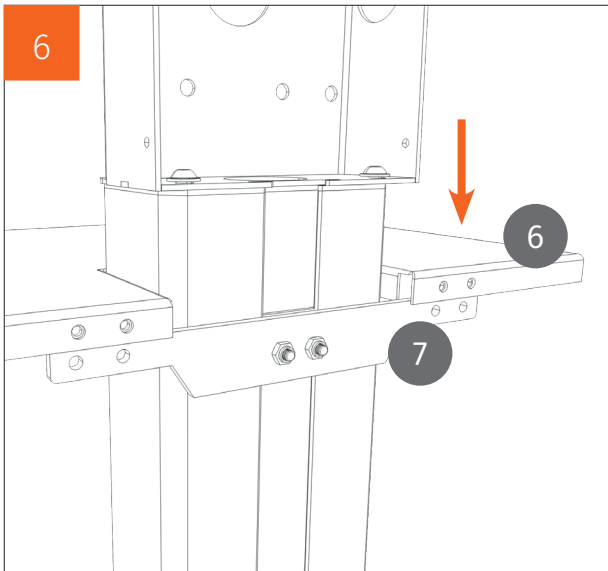
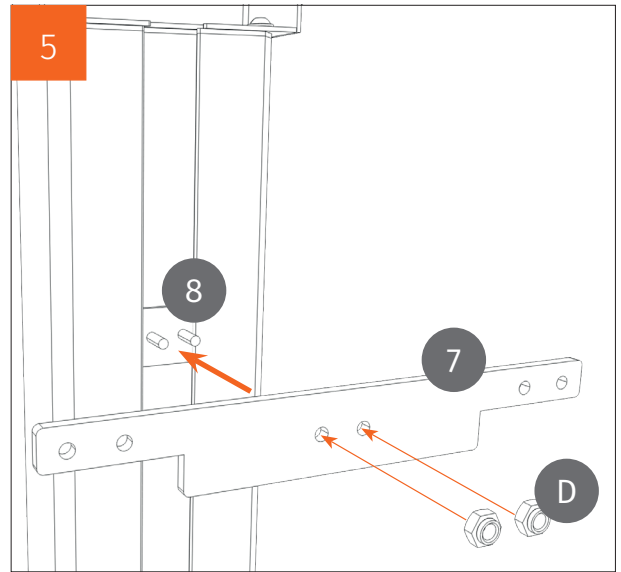
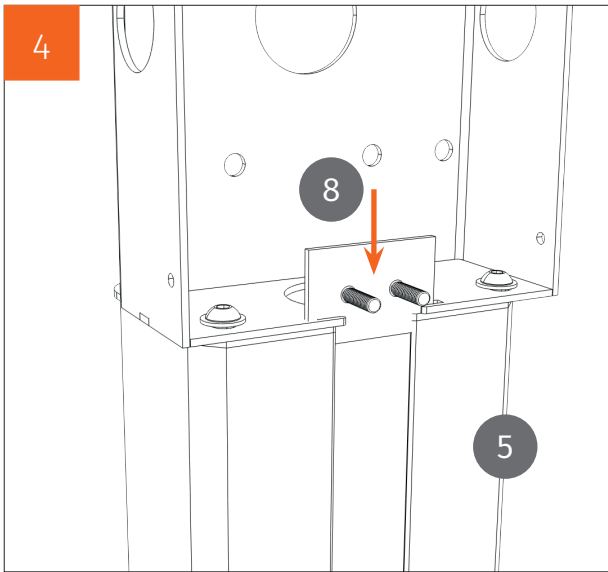
For any inquiry please contact : [sales@stirlingcomm.com](mailto:sales@stirlingcomm.com)

# MOUNTING INSTRUCTIONS



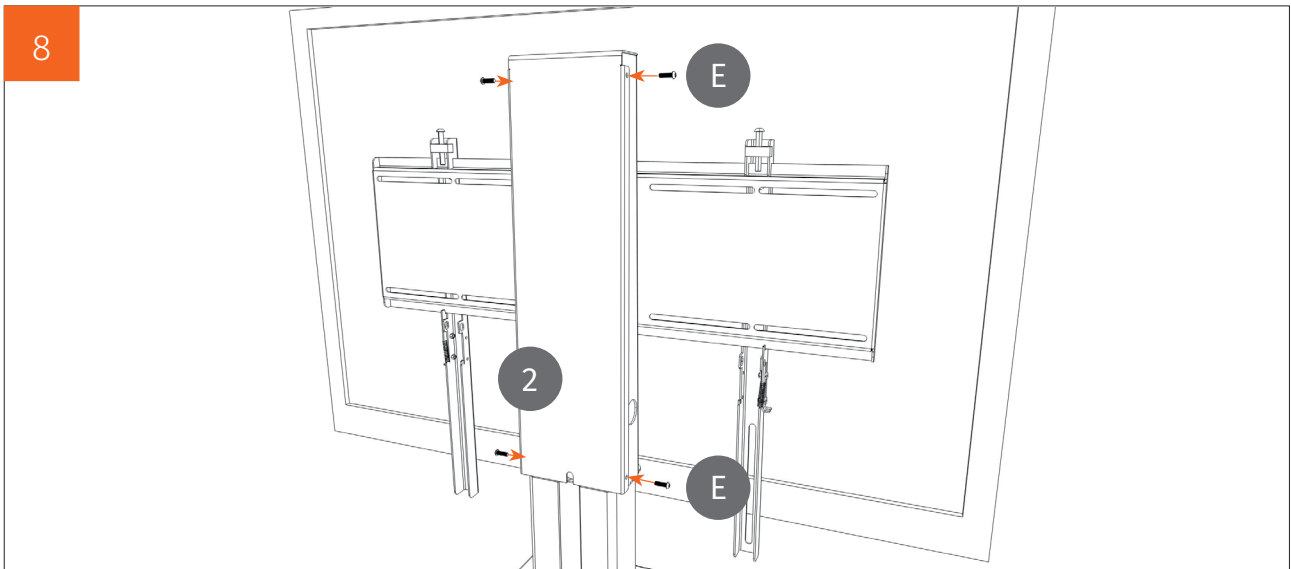
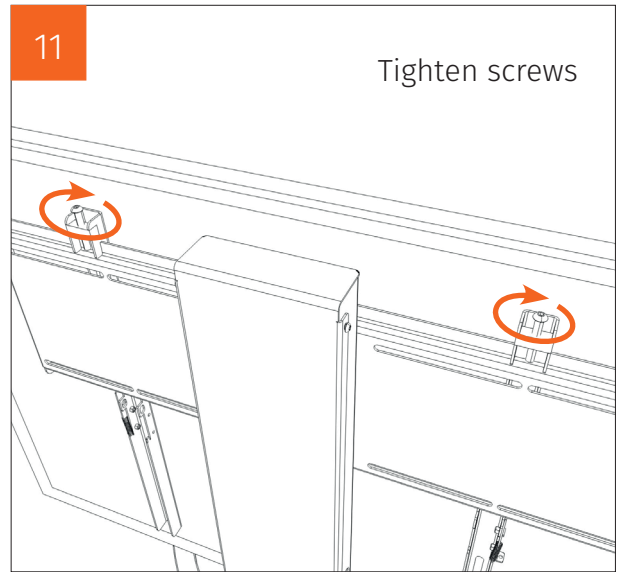
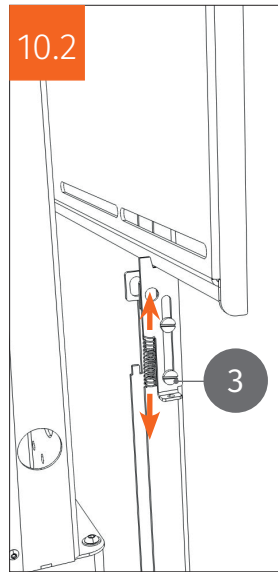
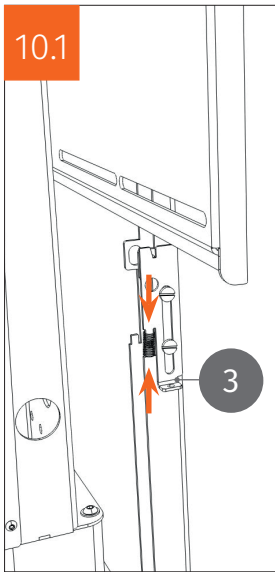
For any inquiry please contact : [sales@stirlingcomm.com](mailto:sales@stirlingcomm.com)

# MOUNTING INSTRUCTIONS



For any inquiry please contact : [sales@stirlingcomm.com](mailto:sales@stirlingcomm.com)

# MOUNTING INSTRUCTIONS



For any inquiry please contact : [sales@stirlingcomm.com](mailto:sales@stirlingcomm.com)